

THE EAGLE PEDESTRIAN

Motion Detector
for Automatic Doors



Quality
Intelligence
Precision

Utilizing K band microwave technology the Eagle is universally compatible with all swinging, bi-folding and automatic doors while avoiding any interference from cell phones and CB radios.

The Eagle's technologically advanced microprocessor screens out interferences caused by rain, snow, radio frequency and header vibration. Slower moving individuals are also protected by the Eagle's highly sensitive 2.2 inches per second motion detection feature.

While exceeding ANSI standards and meeting FCC requirements the Eagle also employs sophisticated motion tracking technology for unidirectional sensing when energy conservation is critical.

The adjustable 3-D planar antenna assures the activation pattern is positioned precisely where it needs to be according to traffic conditions.

WWW.BEASENSORS.COM

A
HALMA GROUP
COMPANY



AAADM American Association of
Automatic Door Manufacturers

ARCAT

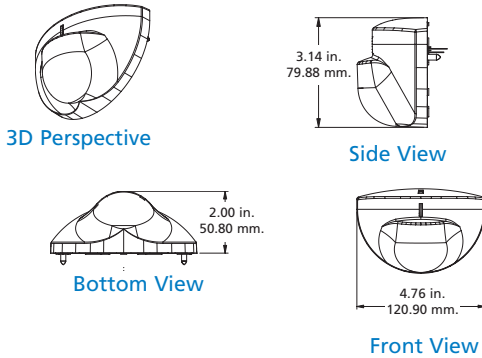


BEA
OPEN UP NEW HORIZONS

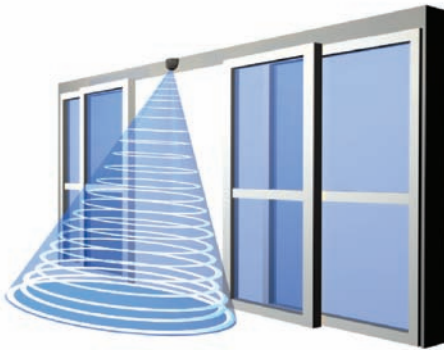
THE EAGLE PEDESTRIAN

Motion Detector
for Automatic Doors

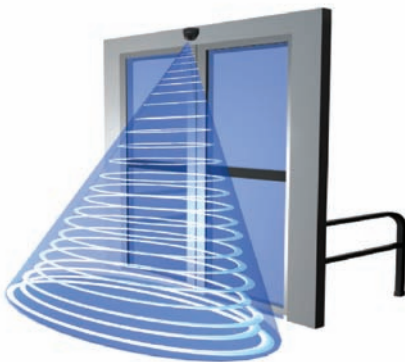
DIMENSIONAL DRAWINGS



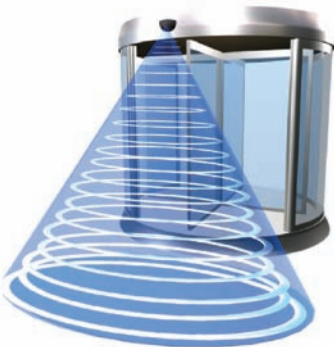
APPLICATIONS



The Eagle's flat antenna provides a stable detection that can detect people approaching the door from odd angles.



The Eagle offers extra immunity protection for precise activation zones needed on swinging doors.



The Eagle provides a very wide and deep activation field, excellent for revolving doors.

TECHNICAL SPECS

Frequency

24.125 GHz

Supply voltage

12 to 24 VAC: $\pm 10\%$:

12 to 24 VDC: -10% / $+30\%$:

Mounting height

Normal

7'

Maximum

10'-0"

Tilt angle

0° to 90° vertical

-15° to +15° lateral

Detection area

Wide

13ft (W) x 6.5ft (D)

Narrow

6.5ft (W) x 8.2ft (D)

(supplied as optional)

Minimum detection speed

2.2 in/sec. (measured in axis)

Power consumption

< 2 W

Standard output relay

Max contact voltage

60 VDC / 125 VAC

Max contact current

1A (resistive)

Max switching power

30W (DC) / 60VA (AC)

Hold time

0.5 sec. to 9 sec. (adjustable)

Temperature range

-4°F to 131°F

Dimensions

4.75in (W) x 3.15in (H)

x 2.0in (D)

Weight

0.5lbs

Material

ABS

Housing color

Black. Can be painted with non-metallic paint

Cable length

6ft

EAGLE COMPONENTS



- 1 Removable plug connector
- 2 Remote controlled receiver
- 3 Serial communication connector
- 4 LED (detection indication)
- 5 Sensitivity adjustment buttons
- 6 Antenna bracket front adjustment
- 7 Planar antenna (wide or narrow)
- 8 Rotating drum for lateral adjustment
- 9 Remote Control

RELATED PRODUCTS



Contact Information

BEA Inc.
RIDC Park West
100 ENTERPRISE DRIVE
PITTSBURGH, PA 15275

PHONE 1.412.249.4100
FAX 1.888.523.2462
TOLL FREE 1.800.5 BEA INC

BEA West
190 East
Arrow Highway Suite A
San Dimas, CA 91773-3314

FAX 1.888.523.2462
TOLL FREE 1.877.232.9378

BEA
OPEN UP NEW HORIZONS

A
HALMA GROUP
COMPANY